

Stylish Dynamic Touch POS Terminal

High performance touch POS terminal with small footprint empower high technique operation application

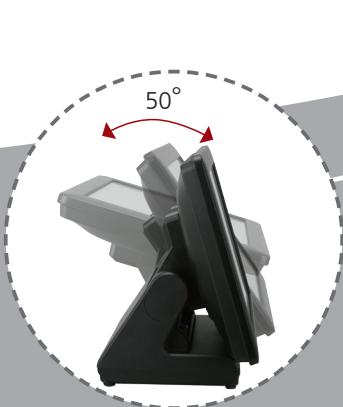
X-POS 752



Support iButton, RFID, MSR and front panel IP55 protection



Support Finger print, RFID, MSR



Wide tilt angle 17°~67°



Support attached customer display

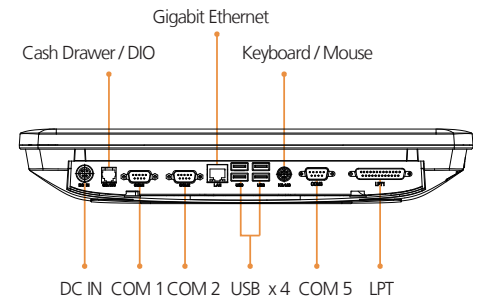
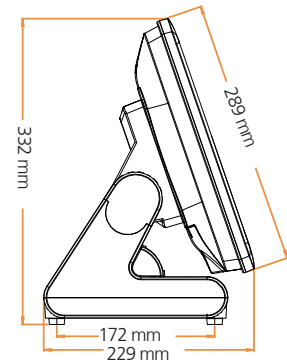
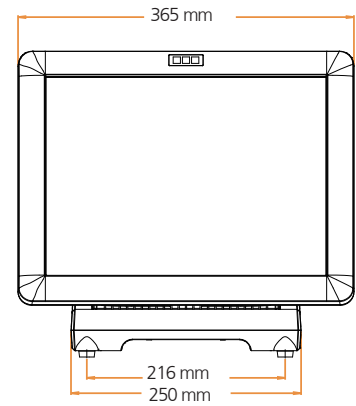


Be nice for our earth. It was printed with soy ink

Specifications

Model Name	X-POS 752	
Main Board	CPU	Intel® Atom™ Processor N270 1.6GHz
	Core Logic	Intel 945GSE / ICH7-M
	System Memory	SO-DIMM DDR2, 128MB up to 2GB
	OS Support	Windows® XP / XPe, WEPOS, WinCE*, POSReady, Vista, Windows 7, Linux*
Display	TFT LCD Size	15"
	Brightness	250 nits
	Resolution	1024 x 768
	Touch Screen	5 wire resistive type
	Tilt Angle	17°~67°
Storage Device	DOM	1 x IDE
	HDD	1 x 2.5" HDD Drive Bay, 160GB SATA Type
	Compact Flash	1 x slot compact flash typell
I/O Ports	Serial	3 x RS-232 COM 1 : RS-232/422/485, DB-9, Pin9 w/ RI/5V/12V Selectable by BIOS COM 2 / 5 : DB-9, Pin9 w/ RI/5V/12V Selectable by BIOS
	Parallel	1 x DB25
	USB	4 x USB 2.0
	PS/2 Keyboard / Mouse	1 x Mini-DIN
	LAN	1 x Gigabit Ethernet by RJ-45, Support Wake on LAN
	Cash Drawer	1 x RJ11 (12VDC)
	Audio	2W Speaker x 2
	VGA	1 x Internal pin header
	Wall mount	Support VESA Mount
	Power Input	External adapter, 80Watt, 12VDC input
Others	Color	Black
	Material	Plastic / Aluminum
	EMC& Safety Compliance	FCC / CE / WEEE / RoHS / CCC / CB
	Weight	6.78 Kgs
	Dimension	365W x 229D x 332H (mm)
	Operating Temperature	0°C ~ 35°C
	Storage Temperature	-20°C ~ 60°C
	Humidity	20% - 80% RH, non-condensing

* Please contact supplier for detail information.



Ordering information

Main Unit

Part No.	Description
XPOS72-5B-A16G	Fanless Touch POS Terminal w/ 15" TFT LCD, Intel® ATOM™ N270 1.6GHz CPU

Optional Accessories

Part No.	Description
Z1300059	Customer display: LCM Attached, 20 columns x 2 lines, RS-232 Type
Z1300060	Customer display: VFD Attached, 20 columns x 2 lines, RS-232 Type
Z0500002	MSR-Front Type, 3 Tracks, PS/2 Type
Z0500003	MSR-Side Type, 3 Tracks, PS/2 Type
Z0500004	MSR-Side Type, 3 Tracks, PS/2 Type & Finger Print, USB Type
Z0500005	MSR-Side Type, 3 Tracks, PS/2 Type & i-Button, PS/2 Type
Z0500006	MSR-Side Type, 3 Tracks, PS/2 Type & RFID, USB Type
A0400807	Wireless LAN: IEEE 802.11 B/G, USB Type
Z0600018	Compact Flash: 512MB
Z0600005	Compact Flash: 1GB
Z0600023	Compact Flash: 2GB
Z0600024	Compact Flash: 4GB
Z0600033	Compact Flash: 8GB
Z0900001	OS License: Windows XP Professional, English Version
Z0900002	OS License: WEPOS, English Version

Part No.	Description
20900021	OS License: Windows Embedded POSReady, English Version
20300021	Memory: DDR2-667, 512MB, 200PIN, SO-DIMM
20300023	Memory: DDR2-667, 1GB, 200PIN, SO-DIMM
20300024	Memory: DDR2-667, 2GB, 200PIN, SO-DIMM
Z0200023	2.5" Slim Type HD: 160GB SATA Type

Specifications are subject to change without notice. Issue Date: 2010 / 01

EBN
EBN Technology Corp.

EBN Technology Corp.

10F, No. 90, Sec. 1, Sintai 5th Rd., Sijhih City,
Taipei County 221, Taiwan
TEL : +886-2-2696 9292
FAX : +886-2-2696 9393
E-mail : sales@ebn-pos.com
www.ebn-pos.com